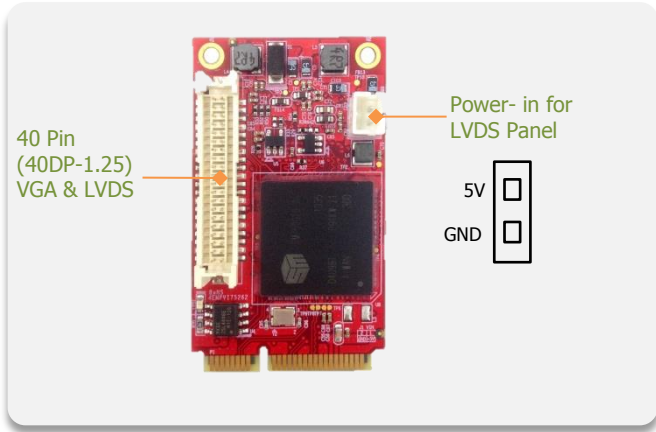


EMPV-1202

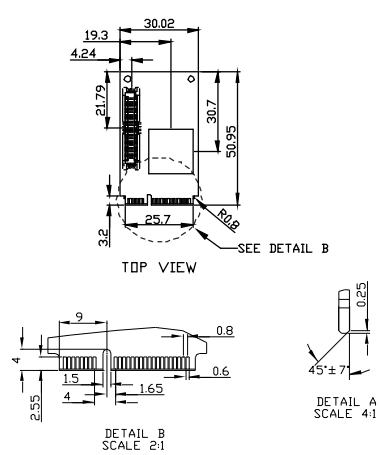
mPCIe to VGA & 18/24 bit LVDS module



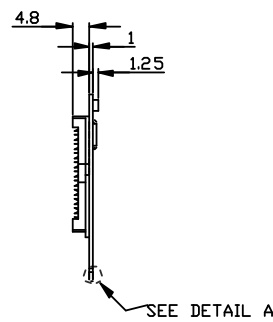
Features

- VGA Output up to 1920x1080, up to 75Hz vertical rate
- LVDS resolution supports up to 1600 x 1200
- EMPV-1202-C1/W1 Support 18 bit panel and 24 bit JEIDA LVDS
- EMPV-1202-C2/W2 Support 24 bit VESA LVDS
- Allow for 90°, 180°, and 270° rotation of on-screen images.
- Optional Industrial Temperature (-40°C to +85°C) support.
- 30μ" golden finger, 3 years warranty.
- Industrial design. Manufactured in innodisk Taiwan.

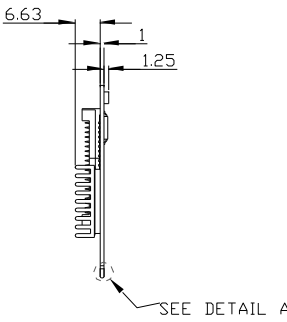
Mechanical Drawing



Standard Temp



Wide Temp



18 bits LVDS + VGA

| Signal | Pin | Pin | Signal |
|-----------|-----|-----|----------|
| +5V | 2 | 1 | +3.3V |
| +5V | 4 | 3 | +3.3V |
| I2C_DATA | 6 | 5 | I2C_CLK |
| GND | 8 | 7 | GND |
| LVDS_D0+ | 10 | 9 | LVDS_D1+ |
| LVDS_D0- | 12 | 11 | LVDS_D1- |
| GND | 14 | 13 | GND |
| LVDS_D2+ | 16 | 15 | LVDS_D3+ |
| LVDS_D2- | 18 | 17 | LVDS_D3- |
| GND | 20 | 19 | GND |
| R_0 | 22 | 21 | B_0 |
| G_0 | 24 | 23 | |
| GND | 26 | 25 | GND |
| H_Sync | 28 | 27 | DDC_SCL |
| V_Sync | 30 | 29 | DDC_SDA |
| GND | 32 | 31 | GND |
| LVDS_CLK+ | 34 | 33 | |
| LVDS_CLK- | 36 | 35 | |
| GND | 38 | 37 | GND |
| | 40 | 39 | |

Specifications

Headquarters (Taiwan)
 5F., No. 237, Sec. 1, Datong Rd.,
 Xizhi Dist., New Taipei City 221,
 Taiwan
 Tel: +886-2-77033000
 Email: sales@innodisk.com

Branch Offices:
USA
usasales@innodisk.com
 +1-510-770-9421

Europe
eusales@innodisk.com
 +31-040-282-1818

Japan
jpsales@innodisk.com
 +81-3-6667-0161

China
sales_cn@innodisk.com
 +86-755-21673689

www.innodisk.com

© 2015 Innodisk Corporation.
 All right reserved. Specifications
 are subject to change without
 prior notice.

November 23, 2015

| | |
|-------------------|--|
| Form-Factor | mini PCIe |
| Input I/F | PCI Express 1.0 |
| Output I/F | VGA, 18/24 bit LVDS (C1 for JEIDA, C2 for VESA) |
| Output Connector | 40pin 1.25mm (40DP-1.25) |
| TDP | 1.98W(3.3V x 600mA) |
| Dimension (WxLxH) | 50.95 x 30 x 8.2 mm, Weight: 8.5g |
| Temperature | Operation: STD: 0°C ~ +70°C WT: -40°C ~ +85°C Storage: -55°C ~ +95°C |
| Environment | Vibration: 5G @7~2000Hz, Shock: 50G @ 0.5ms |
| Notes | Need to connect external 5V power for LVDS panel. OS Support : Windows XP (32 bit), Windows 7 (32/64 bit), Windows 8 (64 bit), Linux Ubuntu 12.10(64 bit), Linux Fedora 18, Linux RedHat Enterprise 6.3. Please download driver from Myinnodisk website. |

Order information

EMPV-1202-C1(Standard Temp.)

EMPV-1202-W1(Wide Temp.)

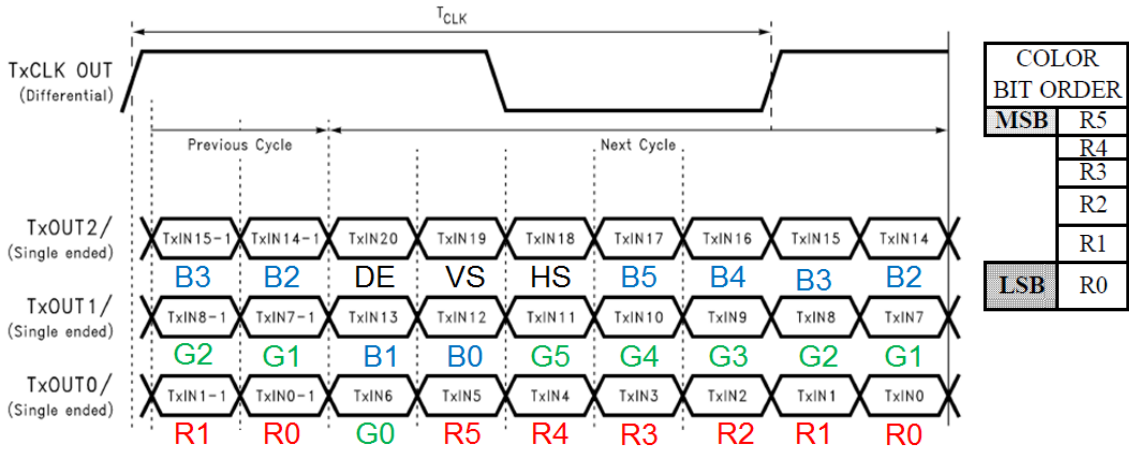
mPCIe to VGA & 18 bit panel and 24 bit JEIDA LVDS format module

EMPV-1202-C2(Standard Temp.)

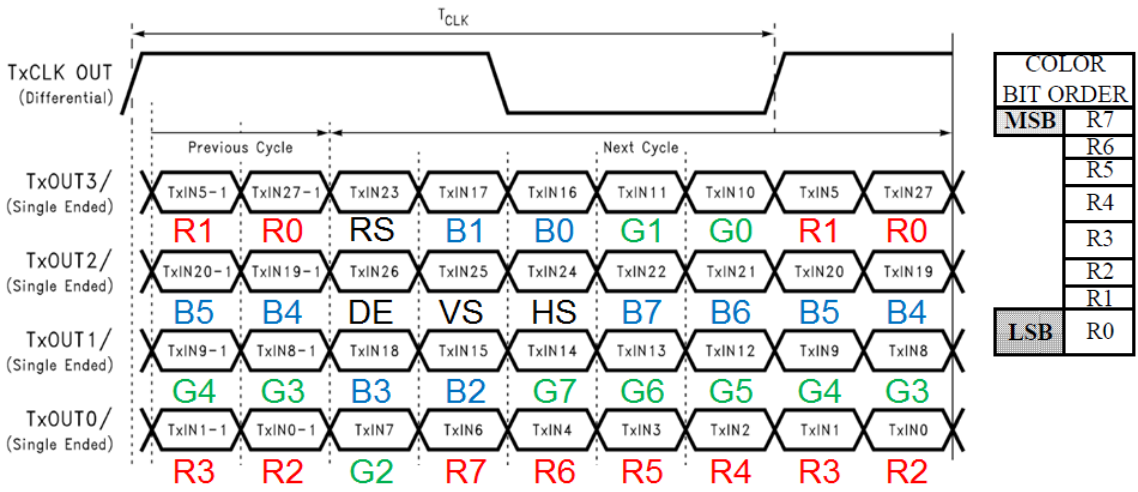
EMPV-1202-W2(Wide Temp.)

mPCIe to VGA & 24 bit VESA LVDS format module

EMPV-1202-C1 LVDS 18 Bit Single Channel Data Mapping Diagram



EMPV-1202-C1 JEIDA LVDS 24 Bit Single Channel Data Mapping Diagram



EMPV-1202-C2 VESA LVDS 24 Bit Single Channel Data Mapping Diagram

